



J. C. Plant Limited
 Lancaster Approach
 North Killingholme
 North Lincolnshire
 DN40 3JZ

Telephone: 01469 540428
 Facsimile: 01469 540544



**Specialists in
 Materials Handling
 Equipment**

www.jcplant.co.uk - e-mail: info@jcplant.co.uk

The Skyhook 3.3

Nationwide Service

- BP (Hull)
 - BP (Grangemouth)
 - ICI (Wilton)
 - Peterhead Power Station
 - Fort William Hydro-electric Plant
 - Shell (Stanlow)
 - Bristol Power Station
 - Heathrow (T5)
-



Follow the M180 eastbound towards Grimsby until it merges with the A180.

Take the first turn off for the A160 following signs to Immingham. After approx. 1 mile you will come to a roundabout, turn left into Top Road, North Killingholme.

You now enter a 30 mph zone, which runs for approx. 200m.

Keep to this road until you see the signs for an industrial estate on your left, it is visible from the road behind some trees.

Turn left into Lancaster Approach and after 150m turn left again, we are 100m further on the right.



Telephone: 0800 7317633

Nationwide Specialists in Materials Handling Equipment

The Skyhook 3.3



SKYHOOK A THOROUGHbred BY DESIGN...

Nationwide, our range of Skyhooks has a reputation for giving a valuable, reliable and high quality service through their ability to perform a multitude of tasks. The concept is designed around preventing manual handling problems, thus lessening the likelihood of injury through over exertion. An example of their many uses is they can be used as anchorage points in confined areas from which to hang chain blocks, hence the term 'Skyhook' was developed.

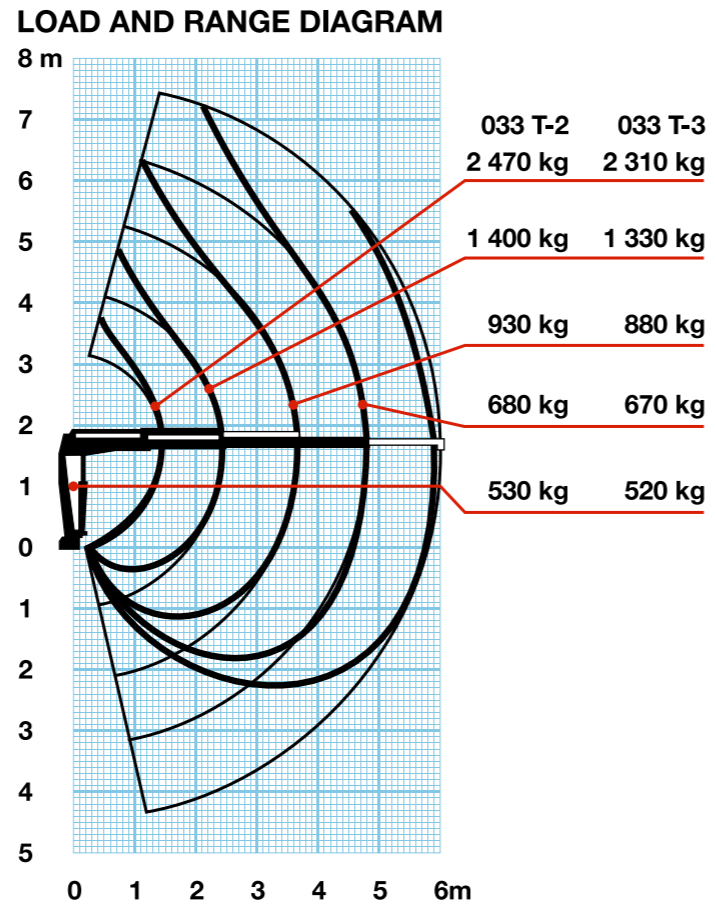
The Skyhook® range has been developed with the self-drive operator in mind. They offer surprising versatility for their size, and are exceptionally user friendly. They can effectively be used as a mini crane and are designed specifically for use in confined spaces and hazardous areas such as refineries or power stations.

We offer a complete range of training and testing for drivers of Skyhooks®, whether they are novices or experienced, to a standard that is accredited and accepted on sites throughout the UK.

The Skyhook 3.3 is primarily aimed at the labour and manual effort saving aspect of site contracts. With its small physical size, it has the advantage of being able to access very confined spaces. Spaces where ordinary devices, such as cranes or forklifts cannot fit, let alone work effectively.



The machines can perform delicate operations safely and effectively and have devices incorporated ensuring that, when used properly, the maximum amount of safety is maintained. Their very design has been based around a common sense approach to avoiding hazards.



The Skyhook 3.3 has two basic functions:

Firstly, it has a 'free on wheels duty' that enables the user to pick up vastly greater loads than humanly possible, and to travel safely with the load to its destination. A maximum of 1200kg can be transported in this manner. An additional load of 3000kg can also be towed on a trailer.

Secondly, there is an 'on legs' duty which increases the load capacity of the unit by about 100% thus allowing it to be used as a small mobile crane. A maximum load of 520kg @ 6m can be achieved, while not exceeding a 2.5m headroom restriction.

We constantly monitor our performance, and implement improvements when appropriate. This led to us achieving the standard required to gain BS EN ISO 9001:2000 certification in 2003.



Operating a comprehensive health and safety policy our aim is to protect people, the environment and property by ensuring risks in the changing workplace are properly controlled.



Characteristics		
Manufacturer		JC Plant Ltd
Manufacturer's model designation		Skyhook 3.3
Power source: (battery, diesel, LP gas, petrol)		Diesel
Wheelbase	y (mm)	1600
Weight		
Truck weight, without load / including battery	kg	4000
Wheels, Drive Train		
Tyre dimensions, front		7.00-12
Tyre dimensions, rear		6.00-9
Number of wheels, front/rear (x=driven)		2x / 2
Distance between centreline of tyres, front		960
Distance between centreline of tyres, rear		980
Dimensions		
Height with mast lowered	h6 (mm)	2145
Height to top of overhead guard	h6 (mm)	2145
Seat height	h7 (mm)	1114
Tow coupling height	h10 (mm)	300
Overall length	l1 (mm)	3200
Overall width	b1/b2 (mm)	1150 / 1640
Ground clearance centre of wheelbase, with load	m2 (mm)	135
Turning circle radius	Wa (mm)	2233
Performance		
Travel speed, with/without load	km/h	19 / 19.5
Rated drawbar pull, with/without load	N	17000 / 16600
Gradeability, with/without load	%	29 / -
Service brakes (mechanical/hydraulic/electric/pneumatic)		Hydraulic
I.C. engine		
Manufacturer / Type		S4S
Rated output B to ISO 1585	kW	42,3
Rated speed to DIN 70 020	rpm	2300
Number of cylinders / cubic capacity	/cm3	4 / 3331
Fuel consumption according to VDI cycle	l/h	2.1
Miscellaneous		
Type of drive control		Powershift / 1
Operating pressure for attachments	bar	180
Oil flow for attachments	l/min	75
Noise level, mean value at operator's ear	dB (A)	78

